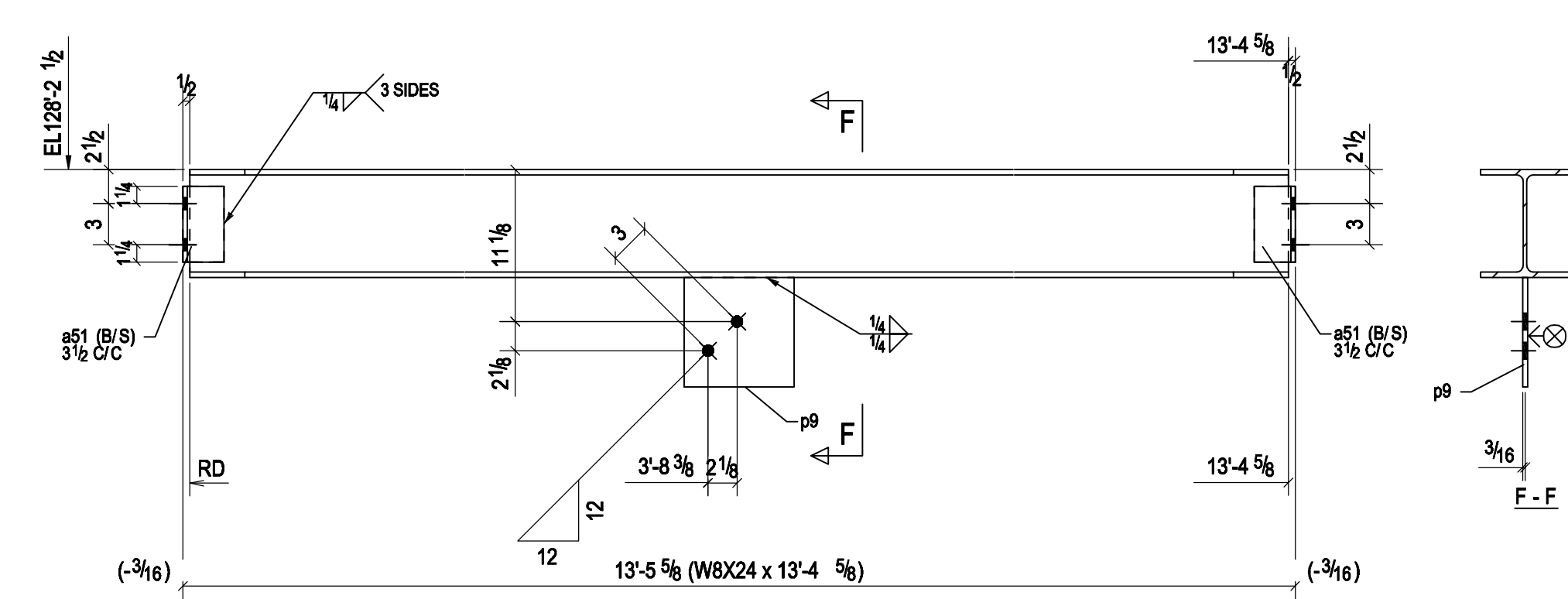
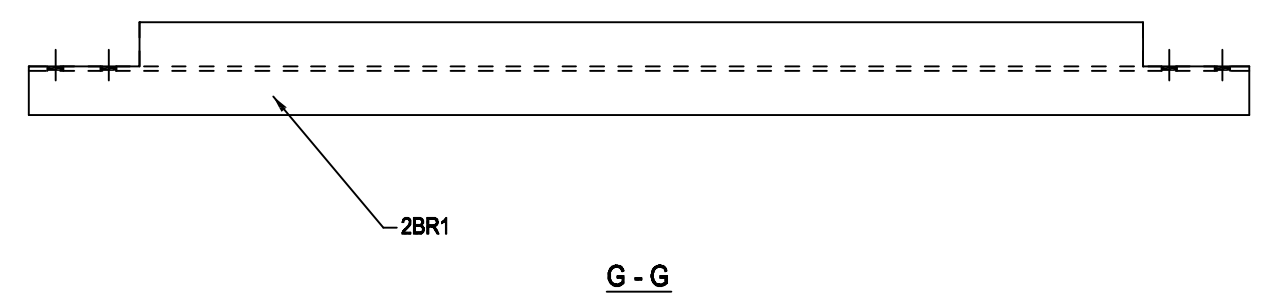


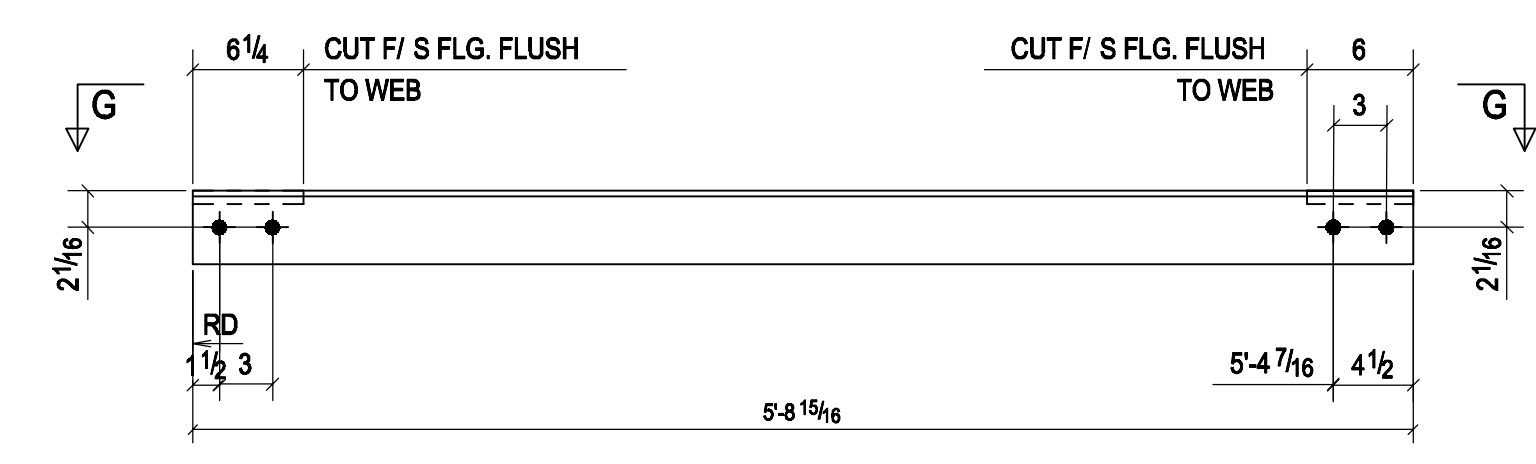
1 ~ BEAM ~ 2B1



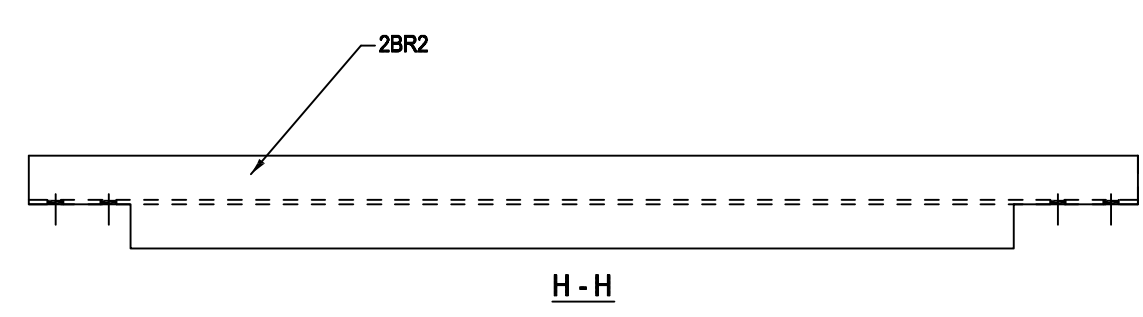
1 ~ BEAM ~ 2B4



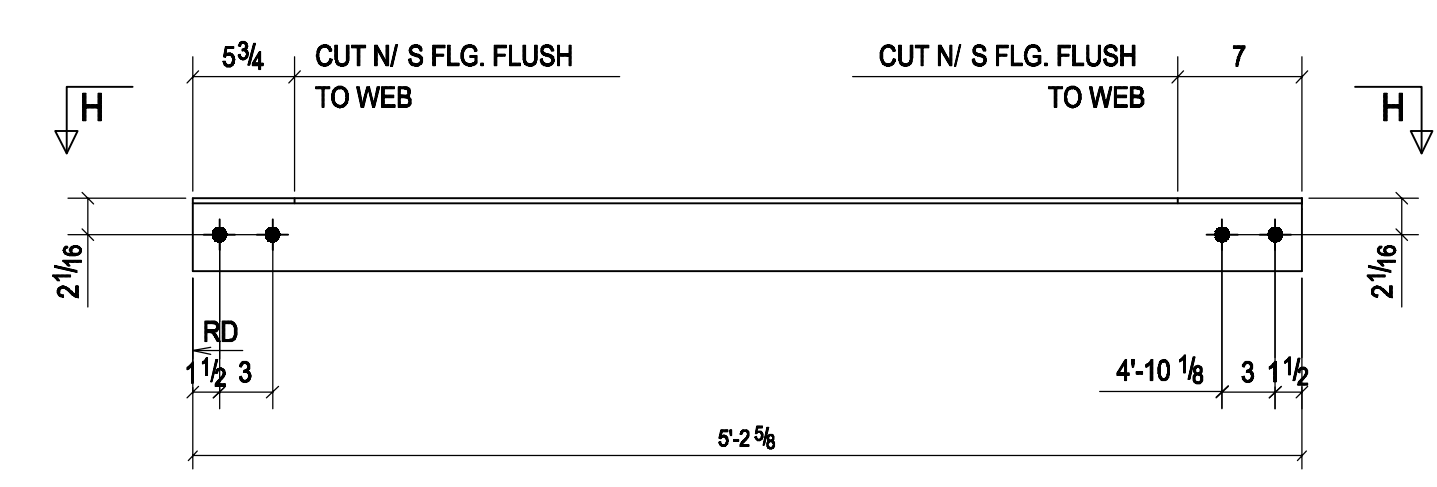
G - G



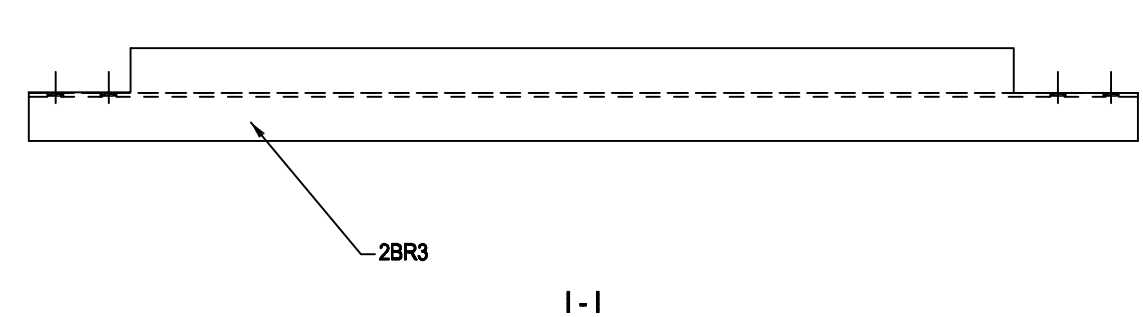
4 ~ BRACE ~ 2BR1



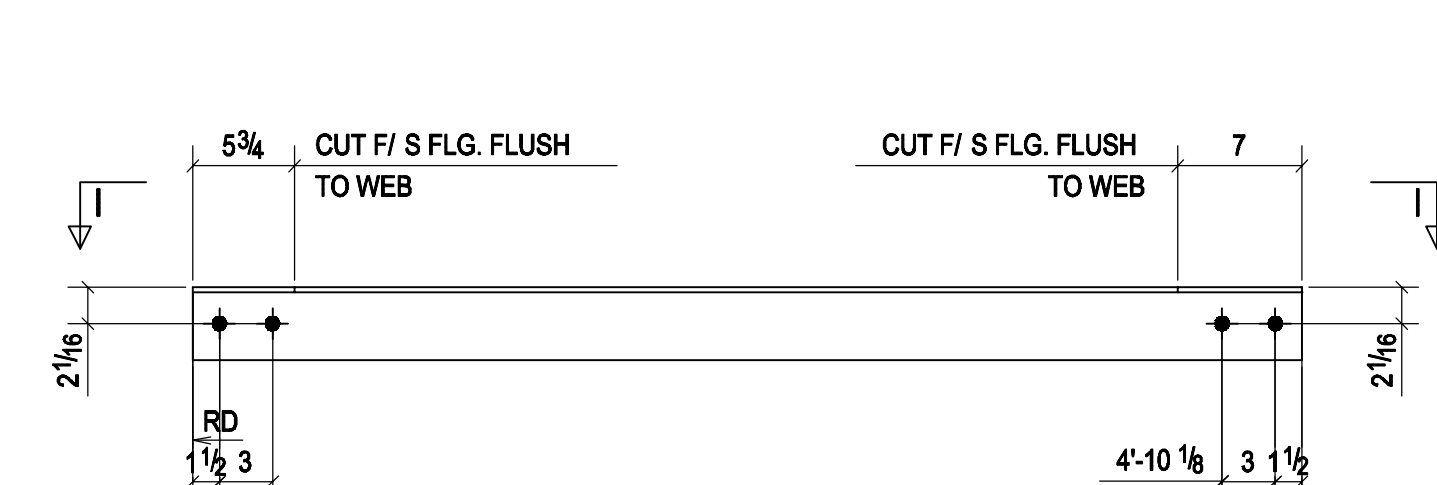
H - H



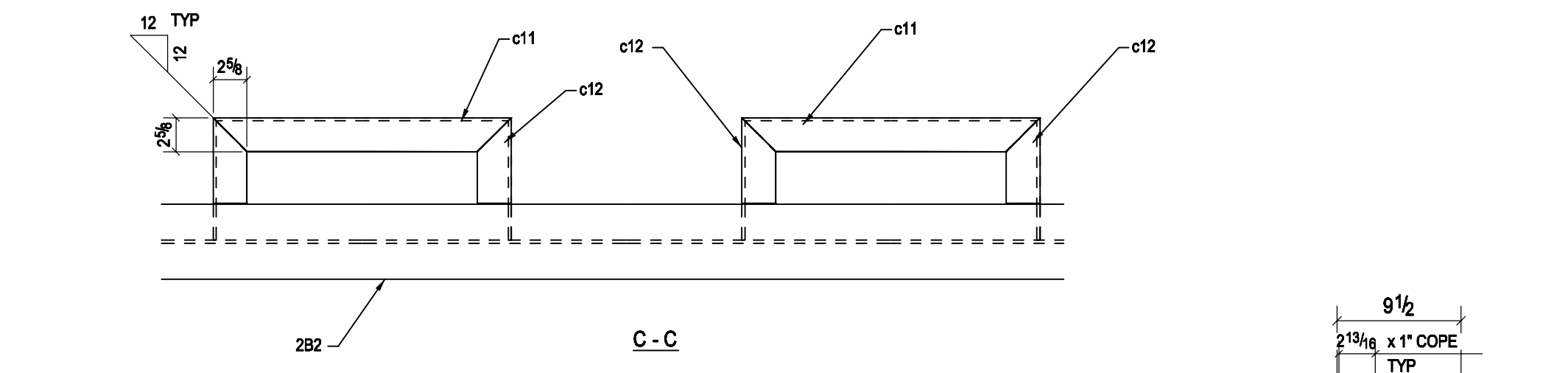
1 ~ BRACE ~ 2BR2



I - I

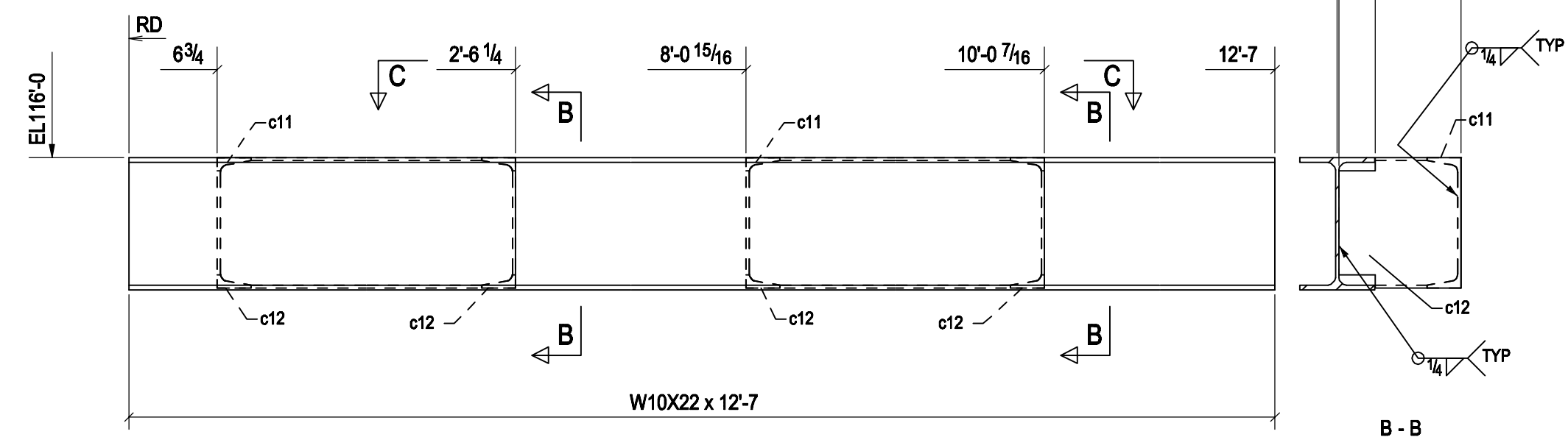


1 ~ BRACE ~ 2BR3



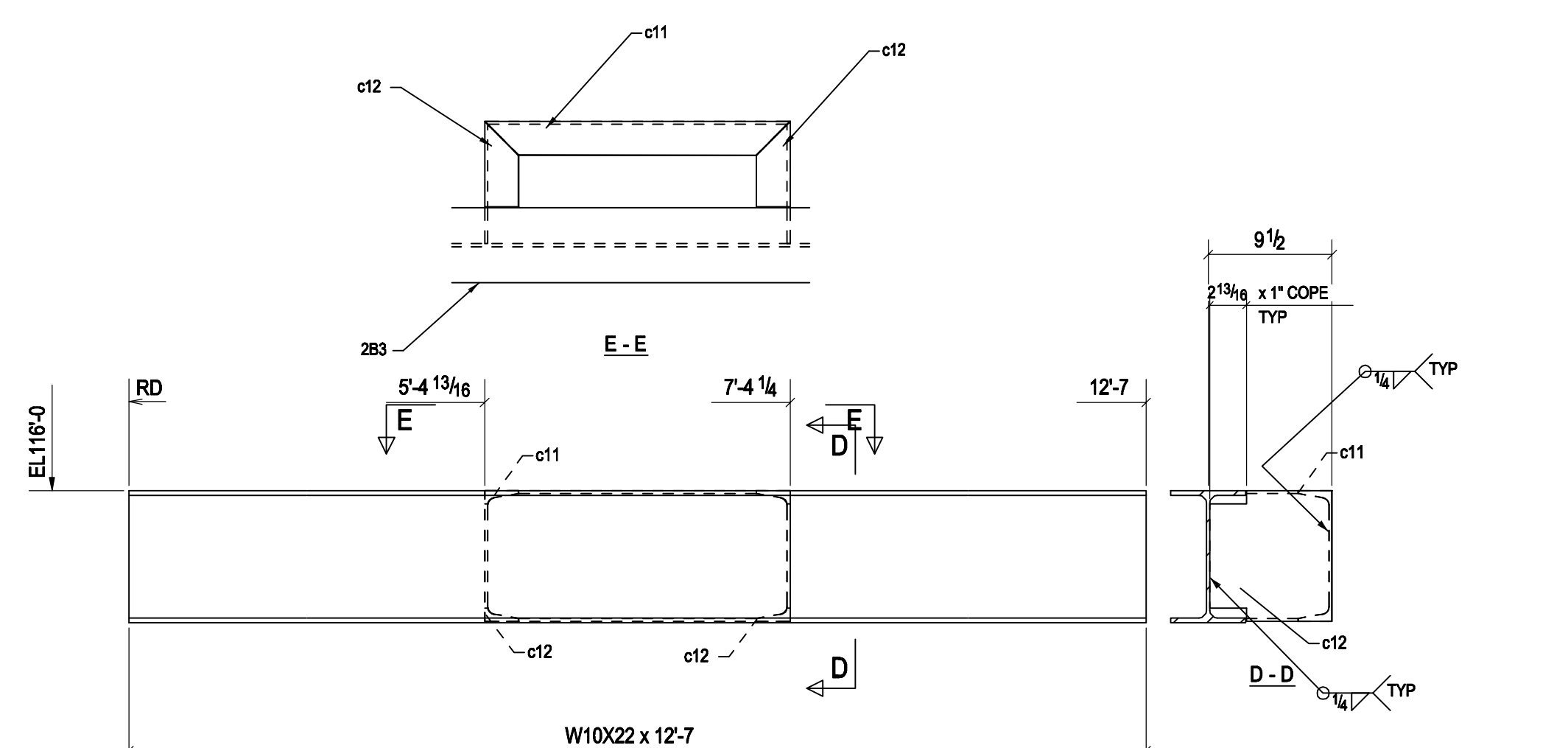
C - C

1 ~ BEAM ~ 2B2



D - D

1 ~ BEAM ~ 2B3



E - E

BILL OF MATERIAL					
MARK	QTY	DESCRIPTION	LENGTH	WEIGHT	REMARKS
2B1	1	BEAM			SO-2
2B1	1	W8X24	15'-9 5/16"	380	A992
a51	2	L3X3X5/16	0'-5 1/2"	6	A36
p9	1	FL3/8"X8"	0'-8"	7	A36
2B2	1	BEAM			SO-2
2B2	1	W10X22	12'-7"	278	A992
c11	2	C10X15.3	1'-11 7/16"	60	A36
c12	4	C10X15.3	0'-8 3/8"	48	A36
2B3	1	BEAM			SO-2
2B3	1	W10X22	12'-7"	278	A992
c11	1	C10X15.3	1'-11 7/16"	30	A36
c12	2	C10X15.3	0'-8 3/8"	24	A36
2B4	1	BEAM			SO-2
2B4	1	W8X24	13'-4 5/8"	323	A992
a51	4	L3X3X5/16	0'-5 1/2"	11	A36
p9	1	FL3/8"X8"	0'-8"	7	A36
2BR1	4	BRACES			SO-2
2BR1	4	WT4X9	5'-8 15/16"	206	A992
2BR2	1	BRACE			SO-2
2BR2	1	WT4X9	5'-2 5/8"	47	A992
2BR3	1	BRACE			SO-2
2BR3	1	WT4X9	5'-2 5/8"	47	A992
TOTAL WEIGHT THIS DRAWING				1749	

STEEL IS HOT DIPPED GALV.
SHOP DRILL VENT HOLES
AS REQUIRED.
SEAL WELD ALL JOINTS

ISSUED FOR CONSTRUCTION					
ISSUED FOR APPROVAL					
REV	DESCRIPTION	BY	DATE	CHKD	DATE

HOLES	7/8" Ø U/N	MATERIAL:	W.W.T : ASTM A992 C's L's PLT'S: ASTM A36 TUBES: A500 GR. B PIPE: A53 GR. B
PAINT	GALVANIZED	ERECTION DWG. REF.	N/A
WELDING	PER AWS D.1.1	CUST. DWG. REF.	58MS8520-S-CS-S-SK-007
ELECTRODES	E70XX	SCALE=	1"=1'-0"

CUSTOMER				
CONTRACT				
LOCATION				
TITLE	BEAMS			
DRN	DATE	JOB NO.	DRG. NO.	REV.
CHKD	DATE		2	