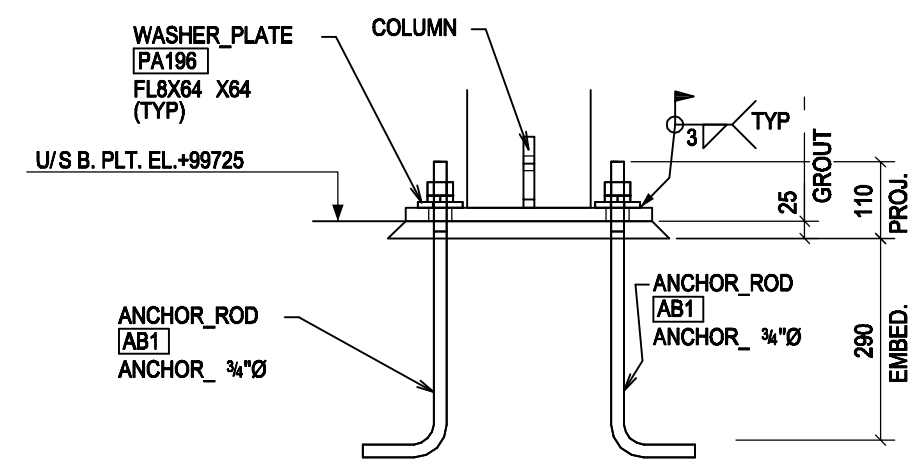
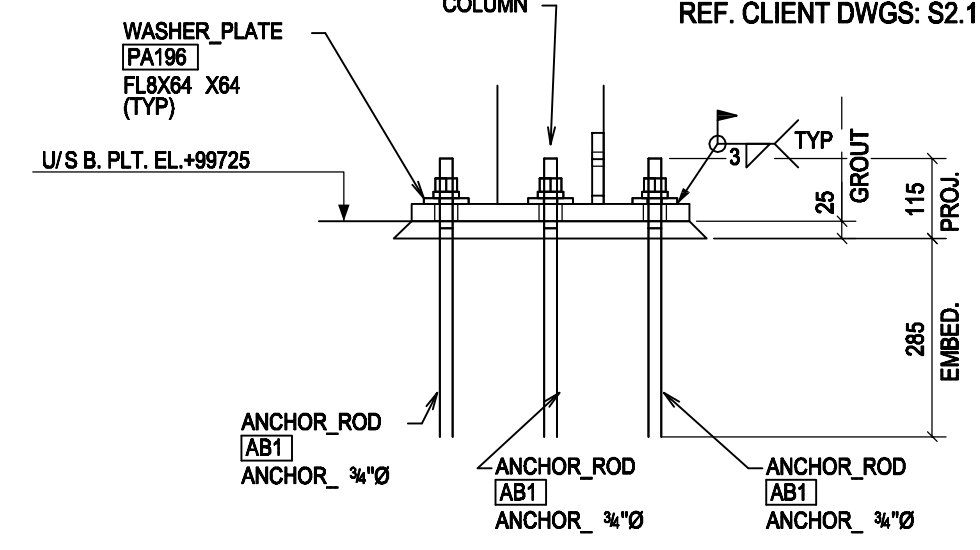


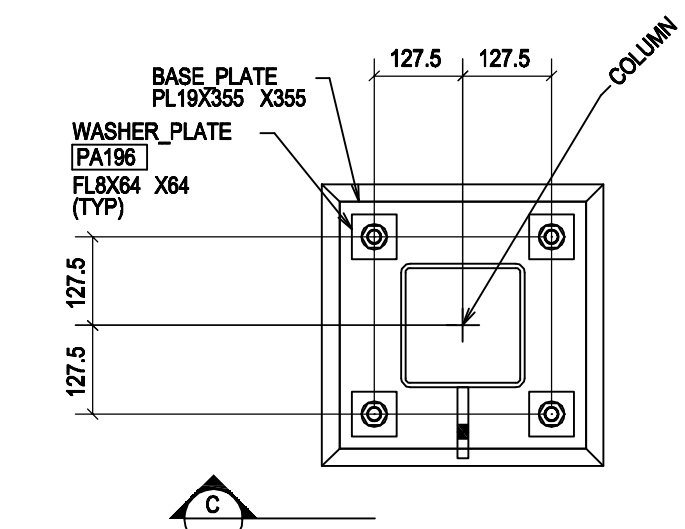
ANCHOR BOLT PLAN
 TOP OF SLAB EL = 100000
 U/S BASE PLT EL = 99725 (TYP ALL BASES)
 68 TOTAL BASES THIS DRAWING
 REF. CLIENT DWGS: S2.1, S4.1



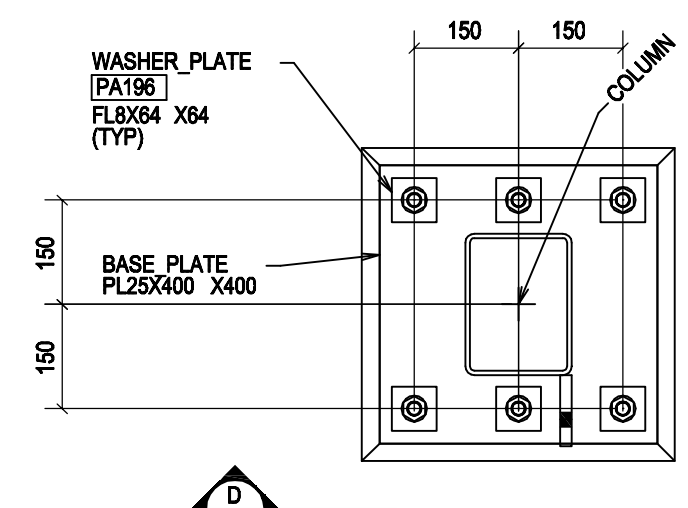
C SECTION
1:10



D SECTION
1:10



DETAIL A
38 PLACES
REF. CLIENT TYPE BP1/ S4.1



DETAIL B
29 PLACES
REF. CLIENT TYPE BP2/ S4.1

MATERIAL SPECIFICATIONS UNLESS NOTED:
 CHANNELS, ANGLES, PLATES & FLAT BARS TO CSA G40.21M-300W
 WIDE FLANGE SHAPES TO CSA G40.21M-350W
 HOLLOW STRUCTURAL SECTIONS TO CSA G40.21M-350W CLASS C
 PIPE SECTIONS TO ASTM A53 GRADE B.

0			FOR CONSTRUCTION
A			FOR APPROVAL
Index	Author	Date	Description

ADDRESS:			
CUST REF:			
PAINT: GREY		CUSTOMER:	
HOLES: 13/16"		CONTRACT:	
DRWN BY		CHK BY	
DATE		DATE	
CONTRACT NO.		DRAWING NO.	
		E1	